

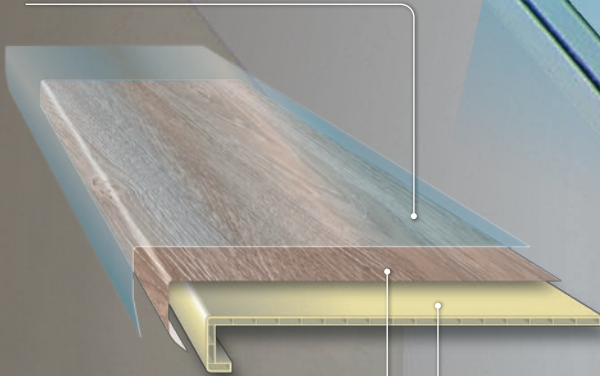
# DURASTAIR™

*Beautiful stairs made easy!*

*Easy as 1-2-3!*

## STAIR TREAD & RISER SYSTEM

**HIGH PERFORMANCE 12 MIL  
WEAR LAYER**



**HIGH RESOLUTION WOODGRAIN  
DÉCOR LAYER**

**8 MM XTRA RIGID  
HIGH DENSITY COMPOSITE CORE**



Reversible Riser



# DURASTAIR™

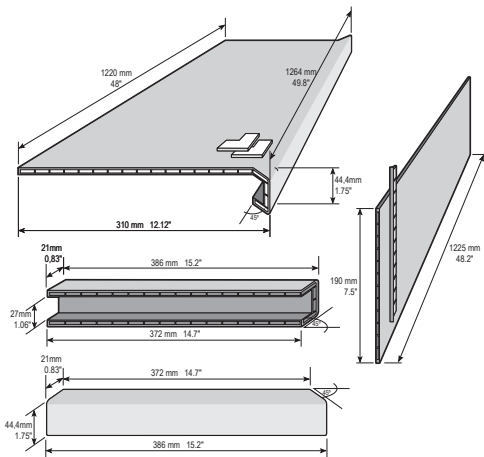
PLANCHERS INNOVATIFS  
**INNOVATIVE**  
FLOORING SUPPLY



Description	Stair Tread System																
Product Type	Vinyl stair tread & riser system																
Material Type	100% Virgin PVC																
Installation Method	Construction adhesive (Scan QR code)																
Product Feature	100% Waterproof																
Surface Type	Slip-resistant natural woodgrain embossed surface																
Finish	2 coat DurAlOx® finish, scratch, and wear resistant																
Certifications	100% VOC-free; phthalate free; heavy-metal free; formaldehyde free																
Wear Layer	12 mil																
Décor	High resolution décor layer																
Core	Moulded profile made of high density composite																
	<table border="1"> <thead> <tr> <th></th> <th>Stair Tread</th> <th>Riser</th> <th>Side Return Bullnose</th> </tr> </thead> <tbody> <tr> <td>Width x Length x Thickness</td> <td>12.20" x 48" / 49.8" x 0.32"</td> <td>7.5" x 48.2" x 0.16"</td> <td>1.7" / 0.83" x 14.7" / 15.2" x 0.32"</td> </tr> <tr> <td>Units per Box</td> <td>1</td> <td>1</td> <td>1</td> </tr> <tr> <td>Warranty</td> <td colspan="3">Limited lifetime residential &amp; 10-year limited light commercial warranty</td> </tr> </tbody> </table>		Stair Tread	Riser	Side Return Bullnose	Width x Length x Thickness	12.20" x 48" / 49.8" x 0.32"	7.5" x 48.2" x 0.16"	1.7" / 0.83" x 14.7" / 15.2" x 0.32"	Units per Box	1	1	1	Warranty	Limited lifetime residential & 10-year limited light commercial warranty		
	Stair Tread	Riser	Side Return Bullnose														
Width x Length x Thickness	12.20" x 48" / 49.8" x 0.32"	7.5" x 48.2" x 0.16"	1.7" / 0.83" x 14.7" / 15.2" x 0.32"														
Units per Box	1	1	1														
Warranty	Limited lifetime residential & 10-year limited light commercial warranty																



NOTE: Colors shown may differ slightly from reality.



**10201**  
Riverstone Oak



**10202**  
Mystic Grey Oak



**10203**  
Sierra Mist Oak



**10204**  
Graphit Grey Oak



**10205**  
Café Brown Oak



**10206**  
Natural Oak



**10207 (SOE)**  
Crema White Oak



**10208 (SOE)**  
Antique Driftwood Oak



**10209 (SOE)**  
Country Maple



**10210 (SOE)**  
Arctic Grey Oak



**10211 (SOE)**  
Honey Brown Oak



**10212 (SOE)**  
Dark Grey Oak



**10213 (SOE)**  
Medium Brown Oak



**10214 (SOE)**  
White Oak



**Jeffrey Feller**  
National Sales Manager - USA

C 630-258-0950  
jeff.feller@innovfloor.com